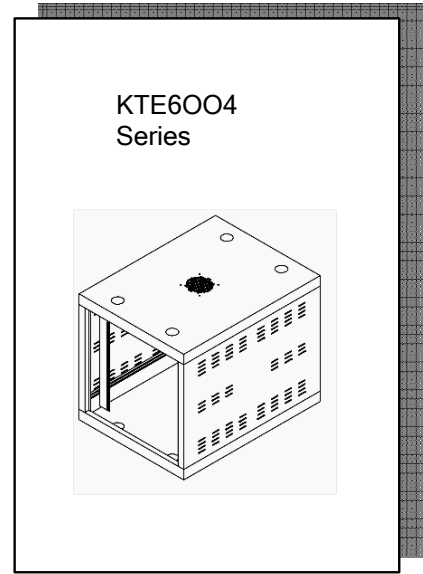


SERIES 6000 MULTI-FUNCTION FLOOR CABINET

- Provides a secure small floor mounted cabinet to house servers and data wiring devices
- Available in 6 heights and 3 depths
- Heights to fit under counters and desks
- 19" wide rack mount unit
- Vented sides
- Sold without doors - optional doors include Plexiglas, Perforated, and solid styles
- Doors are field reversible without tools
- All doors have installed locks
- Stackable
- All welded steel construction
- Includes (2) pr. of Cage Nut mounting rails - fully adjustable front to rear
- Four 2" cable entry knockouts front and rear
- Vented fan hole top and bottom
- Includes leveling feet and bag of (24) M6 Cage Nuts & screws
- Choice of colors: Color Code = "x" Black (BLK) or IBM White (W)



Part #	Dimensions	Useable Depth	Wt. Capacity	Door Options	
KTE6004-6UDx	23"W X 24"D X 13.5"H	22.5"	300 lbs.	6U CABS:	KTE6004-6PLXx
KTE6004-6UEx	23"W X 30"D X 13.5"H	28.5"	300 lbs.		KTE6004-6PRFx
KTE6004-6UFx	23"W X 36"D X 13.5"H	34.5"	300 lbs.		KTE6004-6STLx
KTE6004-9UDx	23"W X 24"D X 18.75"H	22.5"	300 lbs.	9U CABS:	KTE6004-9PLXx
KTE6004-9UEx	23"W X 30"D X 18.75"H	28.5"	300 lbs.		KTE6004-9PRFx
KTE6004-9UFx	23"W X 36"D X 18.75"H	34.5"	300 lbs.		KTE6004-9STLx
KTE6004-12UDx	23"W X 24"D X 24"H	22.5"	300 lbs.	12U CABS:	KTE6004-12PLXx
KTE6004-12UEx	23"W X 30"D X 24"H	28.5"	300 lbs.		KTE6004-12PRFx
KTE6004-12UFx	23"W X 36"D X 24"H	34.5"	300 lbs.		KTE6004-12STLx
KTE6004-15UDx	23"W X 24"D X 29.25"H	22.5"	300 lbs.	15U CABS:	KTE6004-15PLXx
KTE6004-15UEx	23"W X 30"D X 29.25"H	28.5"	300 lbs.		KTE6004-15PRFx
KTE6004-15UFx	23"W X 36"D X 29.25"H	34.5"	300 lbs.		KTE6004-15STLx
KTE6004-18UDx	23"W X 24"D X 36"H	22.5"	400 lbs.	18U CABS:	KTE6004-18PLXx
KTE6004-18UEx	23"W X 30"D X 36"H	28.5"	400 lbs.		KTE6004-18PRFx
KTE6004-18UFx	23"W X 36"D X 36"H	34.5"	400 lbs.		KTE6004-18STLx
KTE6004-26UDx	23"W X 24"D X 48"H	22.5"	400 lbs.	26U CABS:	KTE6004-26PLXx
KTE6004-26UEx	23"W X 30"D X 48"H	28.5"	400 lbs.		KTE6004-26PRFx
KTE6004-26UFx	23"W X 36"D X 48"H	34.5"	400 lbs.		KTE6004-26STLx

Note: Door Options – "PLX" = Plexiglas, "PRF" = Perforated, "STL" = Solid

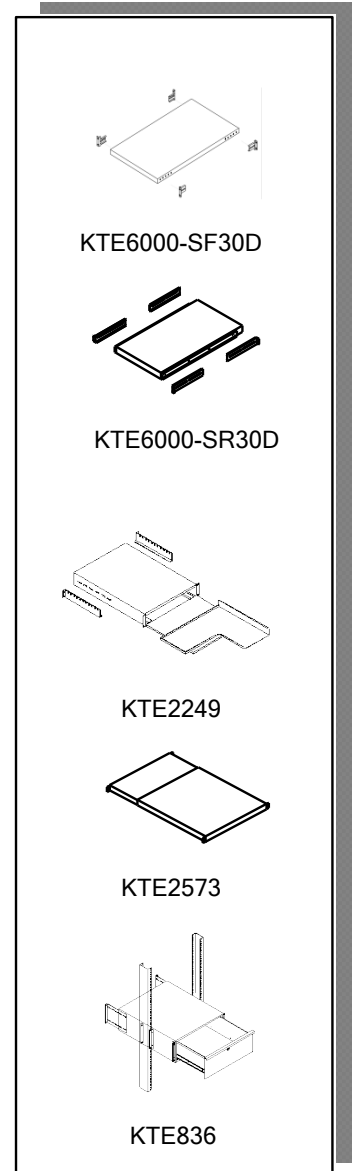
SERIES 6000 CABINET ACCESSORIES

Shelves:

- 19" wide rack mount units
- Formed carbon steel construction for stiffness and strength
- Allows cable access in rear when used with appropriate frame
- 17" wide, mounting brackets use 1RMU of space
- 150 lb. weight capacity
- Roll-Out shelves use full ball bearing slides for full extension
- Vented versions available
- Choice of colors: Color Code = "x" Black (BLK) or IBM White (W)

Frame Depth:

24" Deep	30" Deep	36" Deep
Fixed Equipment Shelf		
KTE6000-SF18Dx	KTE6000-SF24Dx	KTE6000-SF30Dx
KTE6000-SFV18Dx (Vented)	KTE6000-SFV24Dx (Vented)	KTE6000-SFV30Dx (Vented)
Roll-Out Shelf		
KTE6000-SR18Dx	KTE6000-SR24Dx	KTE6000-SR30Dx
KTE6000-SRV18Dx (Vented)	KTE6000-SRV24Dx (Vented)	KTE6000-SRV30Dx (Vented)
Monitor Shelf & Articulating KB Tray		
	KTE2249x	KTE2249x
Adjustable Shelf (20" to 32")		
KTE2573x 100 lb. wt. capacity	KTE2573x 100 lb. wt. capacity	KTE2573x 100 lb. wt. capacity
KTE2573-Vx	KTE2573-Vx	KTE2573-Vx
Lockable Drawer (20" Deep)		
KTE836x 75 lb. wt. capacity	KTE836x 75 lb. wt. capacity	



SERIES 6000 CABINET ACCESSORIES cont'd

Power Strips:

- Breaker protected
- Metal construction for durability
- UL Listed

15 AMP	Description
KTE705-8	(8) outlets, 44" long, 15' cord
KTE705-RM	RACK MOUNT, (8) outlet, 15' cord
20 AMP	
KTE705-20R-RM	RACK MOUNT, (8) outlet, 15 ft. cord

Fans:

- Can be mounted in any KTDP fan top or wall mount cabinet with fan holes
- Sealed bearings
- (1) finger guard included

Part #	Description
KTE706	110 CFM Axial Fan w/6' cord, 115V
KTE706-53CFM	53 CFM Axial Fan w/6' cord, 115V

Casters: KTE6000-CS

- Heavy duty roller bearing construction
- Mounts to any Series 6000 frame
- Full swivel

