

## CORNERSTONE: 19" Network Rack

Cornerstone rack 81000 series: Vendor neutral and highly versatile 30" W rack provides quality solutions for a wide variety of IT and Data Center applications.

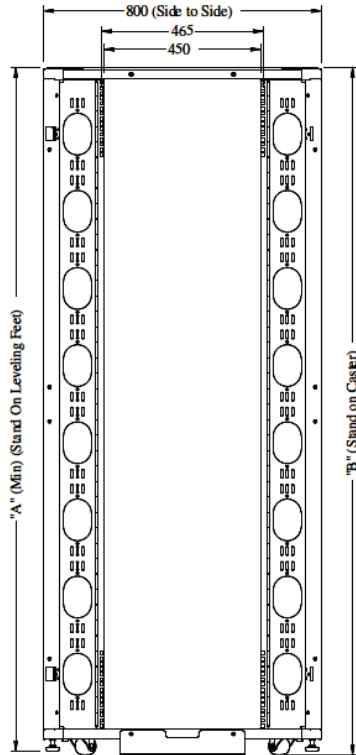
### PRODUCT SUMMARY

Rack enclosures with advanced cooling, power distribution, and cable management for server and networking applications in IT environments.

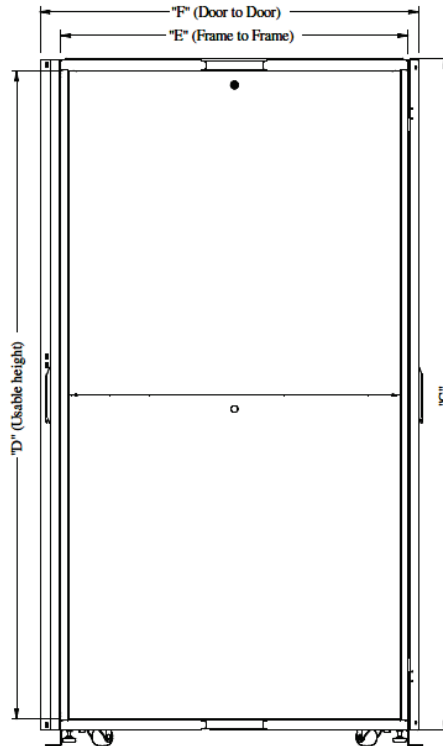
- Lockable doors and side panels
- Guaranteed Compatibility
- Casters
- Door ventilation exceeds 1000in<sup>2</sup>
- Facilitates overhead cable management
- Multi-vendor equipment compatibility
- Provides Mounting Option for PDUs
- Quick release doors
- Cable Access
- Levelling feet
- Split rear doors
- Facilitates rear/vertical cable management
- Numbered U positions
- Protective grounding provisions
- Quick release side panels
- Vertical Mounting Rails with square holes
- Adjustable mounting depth
- Facilitates overhead power distribution
- Removable doors and side panels
- Reversible doors
- Optimized depth
- Adjustable Front Vertical Mounting Rail
- Ships fully assembled
- Ventilated Doors with Scalable Cooling Options
- UBC Zone 4 stabilization provisions
- Deep form factor (42-48 Inch)
- Expanded Cable Management
- Rolls through a 2 meter doorway
- Tool-less mounting



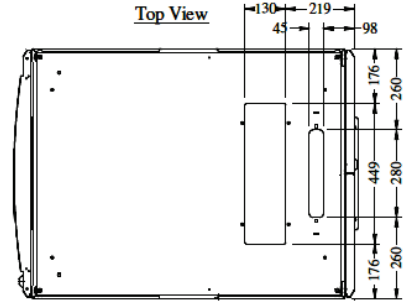
## CORNERSTONE: 19" Network Rack



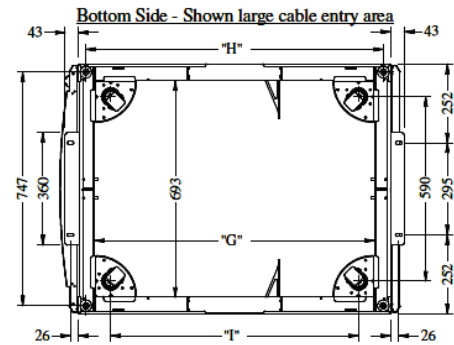
Front View



Side View



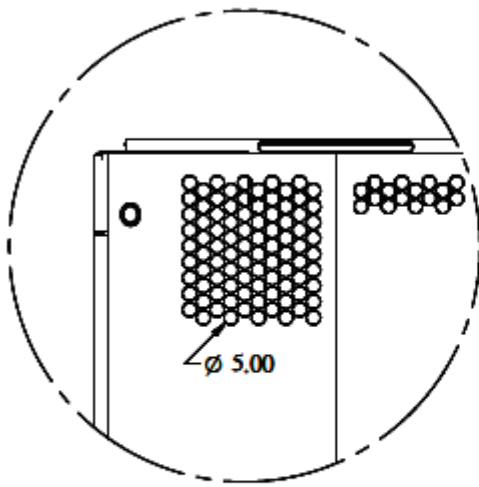
Top View



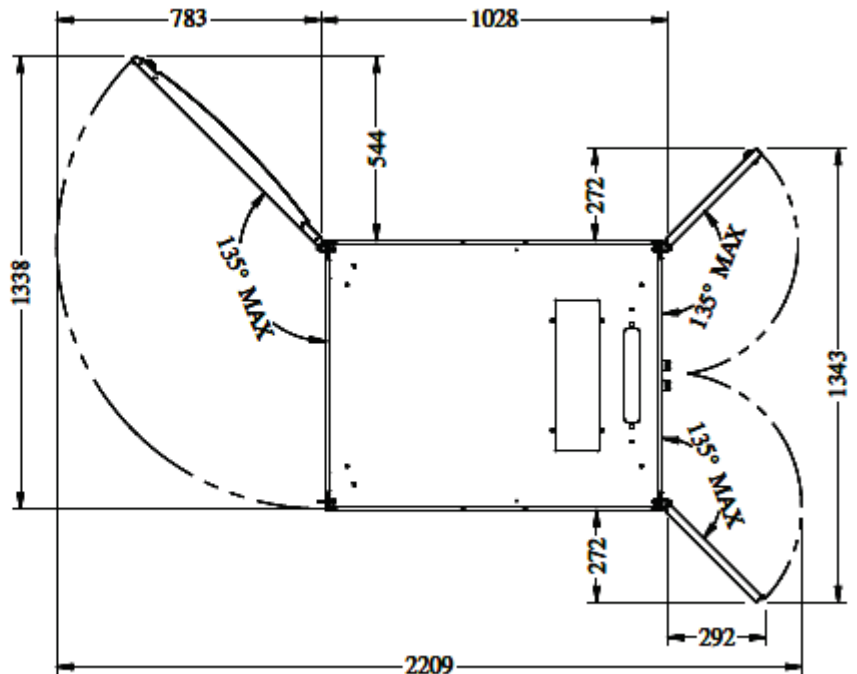
Bottom Side - Shown large cable entry area

DIMENSIONS (UNIT : MM)				
DIM. "E"	DIM. "F"	DIM. "G"	DIM. "H"	DIM. "I"
1000	1090	897	952	793
1200	1290	1097	1152	993

DIMENSIONS (UNIT : MM)				
UNIT HEIGHT	DIM. "A"	DIM. "B"	DIM. "C"	DIM. "D"
42 U	1968	1981	1936	1865
47 U	2190	2203	2158	2087



DETAIL A



Top View

## CORNERSTONE: 19" Network Rack

### STANDARDS & MATERIALS

- Dimensions conform to EIA-310E, IEC-60297-2.
- Five stage iron-phosphate pretreatment with textured powder coat finish, tested to 500 hours salt spray under ASTM-D610-01 and ASTM-B117.
- Standard color is low gloss textured black.
- Premium grade Hot and Cold rolled steel sheet.
- Designed and Manufactured under ISO 9001:2008 and ISO 14001.
- All materials RoHS compliant.

### TECHNICAL SPECIFICATIONS

RACK MODEL	1000 deep		1200 deep	
	42U	47U	42U	47U
Overall Height of Rack without Casters	1936	2158	1936	2158
Overall Height of Rack including casters	1981	2203	1981	2203
Usable Rack Height	42U	47U	42U	47U
Maximum Mounting Depth (mm)	895	895	1095	1095
Front Door Total Open Area (sq in)	1483	1652	1483	1652
Rear Door Total Open Area (sq in)	1563	1741	1563	1741
Door Opening Radius	135 °	135 °	135 °	135 °



## CORNERSTONE: 19" Network Rack

### PRODUCT SPECIFICATIONS

GENERAL INFORMATION	
<b>Company:</b>	Karis Technologies Inc.
<b>Part Number:</b>	Cornerstone 81000
<b>Website Address:</b>	<a href="http://www.karistech.com">www.karistech.com</a>
<b>Brand Name:</b>	KARIS
<b>Product Line:</b>	CORNERSTONE
<b>Product Name:</b>	Cornerstone Deep Rack Enclosure With Sides
<b>Product Type:</b>	Rack Cabinet